



IP65 IK07 CLASS I CE

ALVIS LED

A series of high powered, technologically advanced, exterior spot lights, adjustable on both the horizontal and vertical axes.

Available in various sizes, outputs and beam angles along with different mounting options for maximum design flexibility.

ALVIS LED

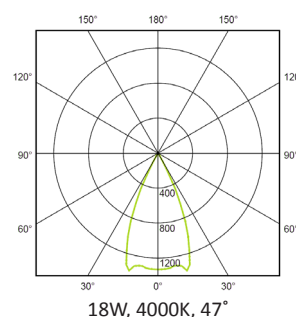
FEATURES & BENEFITS

- > Various mounting options - canopy base, spike and wall arm
- > High resistance to UV and oxidation
- > Optimum colour consistency - 3 step MacAdam chromaticity tolerance
- > Average rated LED life: >100,000hrs (L80/B10)
- > Fully adjustable on both the horizontal and vertical axes



PERFORMANCE

Light source	LED
Distribution	Symmetric
LED output	1800 - 8000lm
Luminaire output	1609 - 6639lm
CRI	>90
Beam angle	24° / 40° / 60° (12W) 12° / 47° (18W, 26W, 32W) 16° / 38° / 65° (55W)

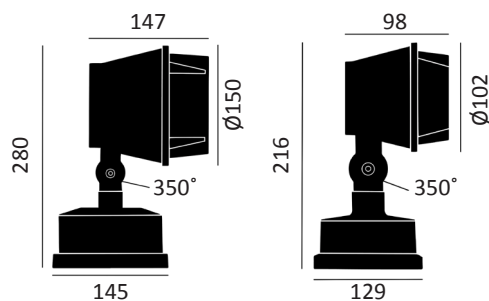


MATERIALS

Body	Die-cast aluminium EN AB 44100
Finish	Anthracite grey / Light grey
Diffuser	5mm soda-lime tempered clear glass with silicone sealing gasket

OPTIONS

- > DALI
- > Aluminium hood or black nylon stake
- > Anti-glare honeycomb louvre
- > Coloured films



ALVIS LED

LAMP	COLOUR TEMP	DELIVERED LUMENS	DIMENSIONS	BEAM	ANTHRACITE GREY	LIGHT GREY
12W	3000K	1626lm	Ø102	24°	75103701	75103801
12W	4000K	1670lm	Ø102	24°	75103901	75104001
12W	3000K	1612lm	Ø102	40°	75104101	75104201
12W	4000K	1657lm	Ø102	40°	75104301	75104401
12W	3000K	1609lm	Ø102	60°	75104501	75104601
12W	4000K	1655lm	Ø102	60°	75104701	75104801
18W	3000K	2248lm	Ø150	12°	75104901	75105001
18W	4000K	2320lm	Ø150	12°	75105101	75105201
18W	3000K	1848lm	Ø150	47°	75105301	75105401
18W	4000K	1907lm	Ø150	47°	75105501	75105601
26W	3000K	3073lm	Ø150	12°	75105701	75105801
26W	4000K	3162lm	Ø150	12°	75105901	75106001
26W	3000K	2525lm	Ø150	47°	75106101	75106201
26W	4000K	2599lm	Ø150	47°	75106301	75106401
32W	3000K	3852lm	Ø150	12°	75106501	75106601
32W	4000K	3977lm	Ø150	12°	75106701	75106801
32W	3000K	3166lm	Ø150	47°	75106901	75107001
32W	4000K	3269lm	Ø150	47°	75107101	75107201
55W	3000K	6440lm	Ø200	16°	75107301	75107401
55W	4000K	6639lm	Ø200	16°	75107501	75107601
55W	3000K	5384lm	Ø200	38°	75107701	75107801
55W	4000K	5550lm	Ø200	38°	75107901	75108001
55W	3000K	5809lm	Ø200	65°	75108101	75108201
55W	4000K	5989lm	Ø200	65°	75108301	75108401