

CYLINDER MONO

IP20 CLASS I F MARK C E

A cost-effective, yet high performance, single spotlight designed for three circuit track mounting.

FEATURES AND BENEFITS

- > Average LED life: >50,000hrs - (L70) - maintenance free
- > Optimum colour consistency - 3 step MacAdam ellipse tolerance

PERFORMANCE

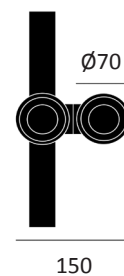
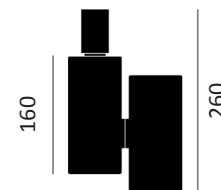
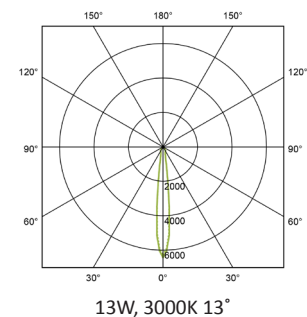
Light source	LED (Bridgelux)
LED output	1811 - 1865lm
Luminaire output	1449 - 1492lm
CRI	>80
Beam angle	13° / 28° / 48°

MATERIALS

Body	Extruded aluminium
Finish	Silver / White / Black
Reflector	Aluminium coated polycarbonate with protective lacquer
Diffuser	Clear glass

OPTIONS

- > CRI>90
- > Dimming options
- > Surface (wall & ceiling) version



LAMP	COLOUR TEMP	DELIVERED LUMENS	BEAM	SILVER	WHITE	BLACK
13W	3000K	1449lm	13°	26200101	26200701	26201301
13W	4000K	1492lm	13°	26200201	26200801	26201401
13W	3000K	1449lm	28°	26200301	26200901	26201501
13W	4000K	1492lm	28°	26200401	26201001	26201601
13W	3000K	1449lm	48°	26200501	26201101	26201701
13W	4000K	1492lm	48°	26200601	26201201	26201801