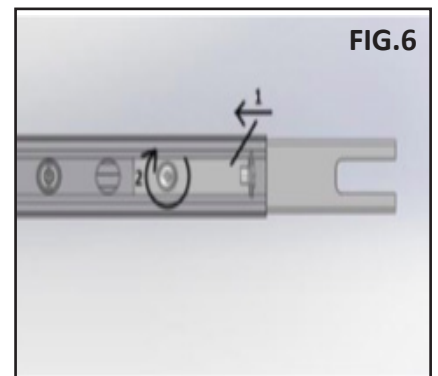
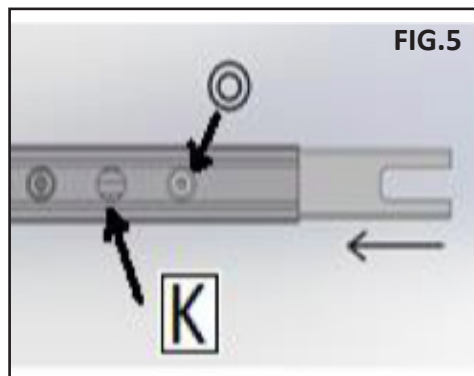
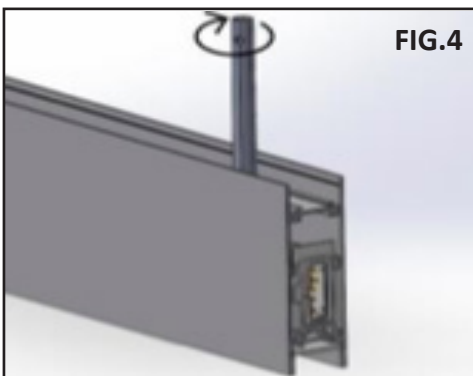
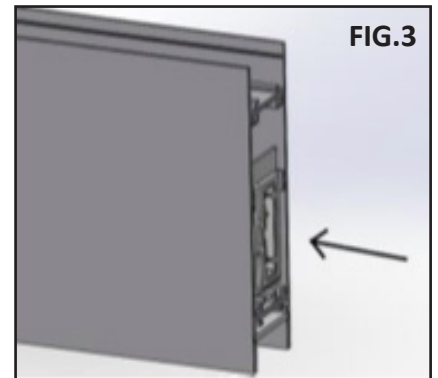
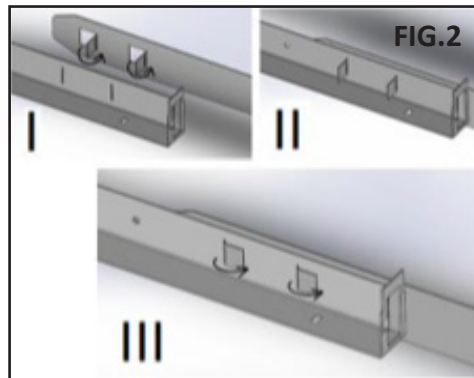
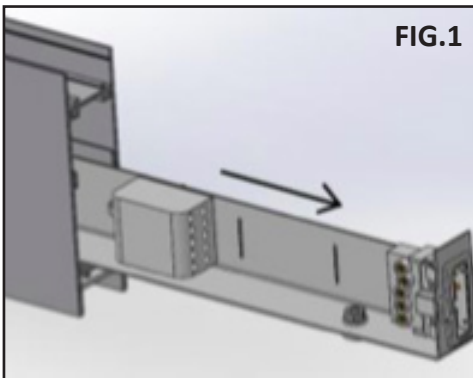
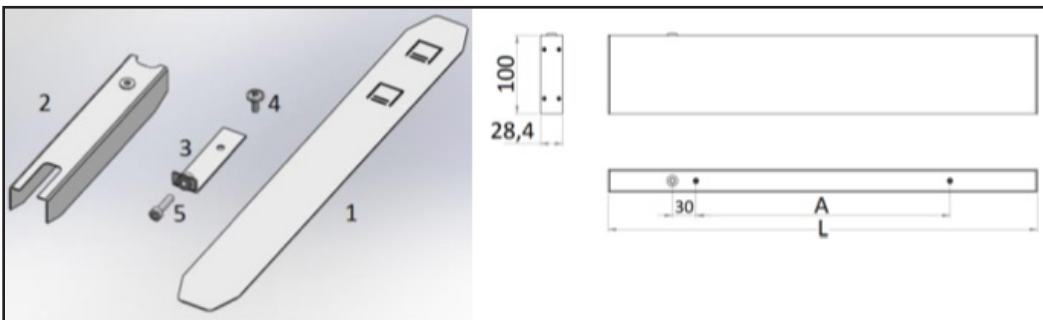


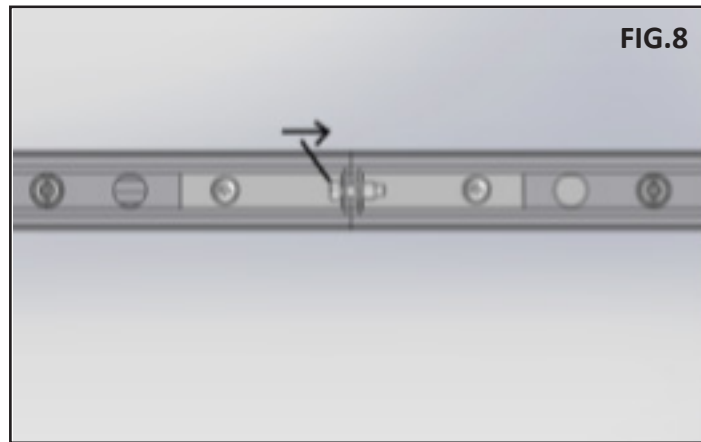
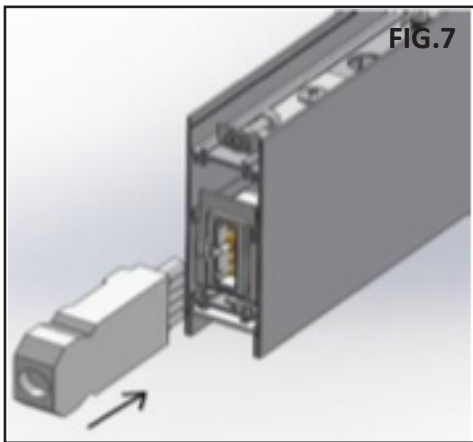
INSTRUCTIONS

220-240V 50/60Hz

1. Dimensions:

L [mm]	Weight DI / DI-IN [kg]	A
545	1,3 / 1,3	325
1085	2,3 / 2,4	865
1625	3,3 / 3,4	1405
2170	4,4 / 4,5	1950





- a) Turn off the power supply in the circuit.
- b) Install the suspension kit in the ceiling accordingly to the mounting hole dimensions
- c) Take the luminaire out of the packaging.

Single mounting:

- 1) Remove the cover/ upper diffuser from the luminaire.
- 2) Slide out the gear tray with the connection terminal (so it's visible) (Fig. 1)
- 3) Connect the power cable to the luminaire, threading it through the K inlet as shown in the fig. 5 Fig.1
- 4) Slide the gear tray back into the luminaire so the connector is even with the Edge of the luminaire (Fig. 3)
- 5) Using a 7mm key wrench, tighten the nut on the top of the luminaire (Fig. 4)
- 6) Thread the wires and power cable through the holes in the cover, put the wires in the tension regulators in the luminaire. Choose the height at which the luminaire should be installed.
- 7) Click the cover/ upper diffuser back in the luminaire.
- 8) Install the end caps.

Linear installation: Fig.3

- 1) Remove the cover/ upper diffuser from the luminaire
- 2) Slide out the gear tray with the connection terminal (so it's visible) (Fig. 1)
- 3) Place the assembly part no.1 in the slots (Fig. 2)
- 4) Connect the power supply to the luminaire (optional) threading it through K inlet as shown in the fig. 5
- 5) Slide the gear tray back into the luminaire so the connector is even with the edge of the luminaire
- 6) Using a 7mm key wrench, tighten the nut on the top of the luminaire (Fig. 4)
- 7) Slide the installation piece no. 2 so the thread is visible in the inlet (Fig. 5)
- 8) Slide the installation piece no. 3, screw in a no. 4 M4 (Fig. 6) Fig.5
- 9) Thread the wires and power cable (optional*) through the holes in the cover/ upper diffuser, put the wires in the tension regulators in the luminaire. Choose the height at which the luminaire should be installed.
- 10) Pull out the through-wiring connector from the other luminaire, connect it to the already installed one (Fig.7)
- 11) Join the luminaires together (Fig. 8), twist a screw no.5 in, regulate the length of the suspension.
- 12) Click the cover/ upper diffuser back in the luminaire.
- 13) Install the end caps.