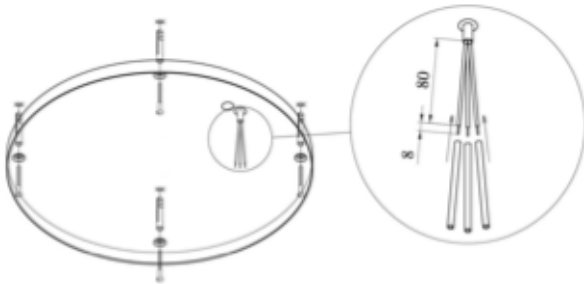


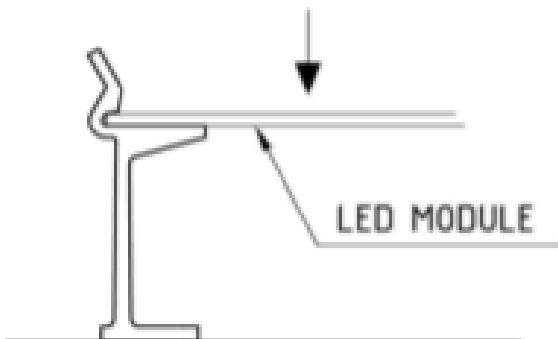
### INSTRUCTIONS



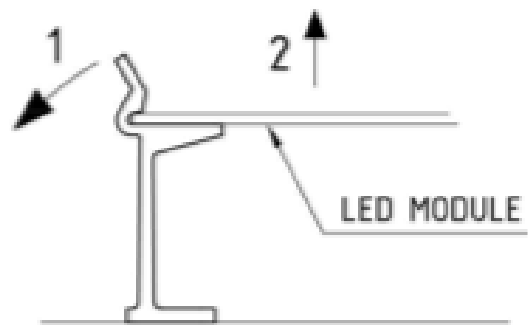
1. Pulling the shade to loosen the shade from the fitting.



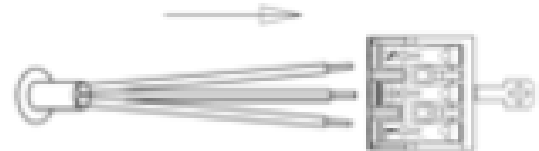
4. Extend the input cable through opening in the fixture and fix it to the wall/ceiling by using screws.



8.\*\* Mount the cable cover back to the fixture.  
9.\* Insert LED module back into the brackets in the original position and snap into the brackets.



2. Make sure the electrical supply is switched off.  
3.\* Take LED module out of the holders 1 → 2.



5.\*\* Remove the cable cover.  
6. Supply the input conductors with silicon sleeves (if included).  
7. Connect the input conductors.



10.\*\*\* Install the light source (see label on the luminaire).  
11. put the shade on a → b → c.

\* Apply when install lights with LED module (for example L12, L13, L32, L43 ...).

CAUTION when handling the LED module and feeder cables to the LED module! Do not touch the LEDs!

\*\* Apply when install the lights with double insulated.

\*\*\* Apply when install the lights with incandescent or fluorescent source.

### IMPORTANT WARNINGS

Do not install the luminaire in areas without sufficient air circulation. The manufacturer cannot be considered liable for any damage caused by inappropriate use of the luminaire other than its manufactured purpose.

Luminaires must be installed by a qualified registered electrician only. Any misuse of the luminaire when power is activated may cause the risk of an electric shock.

The manufacturer does not accept any responsibility of any issues resulting from the non-compliance of the recommendations included in this instruction document. These instructions are issued as a guide to assist the installer to satisfactory conclusion.

The manufacturer reserves the right to change the design of this product without prior notice.

### WASTE DIRECTIVE

The European Directive 2002/96/EC on waste electrical and electronic equipment requires that electric and electronic devices must not be disposed of in the normal household waste. For correct disposal, please use authorized waste disposal facilities or return to the distributor at the date a new lighting fitting is purchased. Lamps, if disposed together with the lighting fitting, should not be broken up as they contain pollutants, which are harmful to the environment. Unauthorized disposal of the foregoing waste material is punishable by law.

