



IP65 CLASS II CE

PITCH LED

A high powered LED floodlight in a modular design with various lumen outputs to suit a wide number of applications.

Ideal for sports fields, tennis courts, warehouses, gymnasiums, workshops and parking areas.

PITCH LED

FEATURES & BENEFITS

- > Various sizes and lumen outputs
- > Long LED life: >97,000hrs (L80/B50) 155,000hrs (L70/B50)
- > Meanwell driver (PF>0.95)
- > Adjustable non-corrosive angle bracket
- > Optimum colour consistency—3 step MacAdam ellipse tolerance
- > Large heat sink for effective thermal management

PERFORMANCE

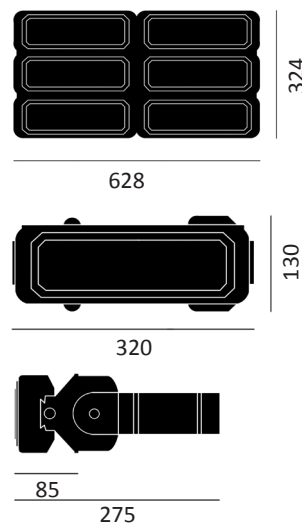
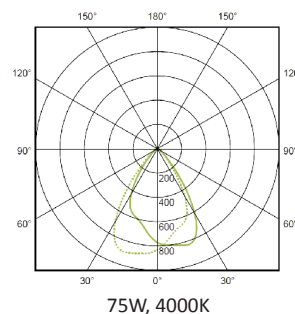
Light source	LED (Osram)
Distribution	Asymmetric
Luminaire output	8518 - 136545lm
Lumen efficiency	≥122lm/W
CRI	80
Beam angle	60°
Operating temp	-20°C to +50°C

MATERIALS

Body	Die-cast aluminium
Finish	Black
Diffuser	Polycarbonate with silicone gasket

OPTIONS

- > 90° beam angle
- > DALI



LAMP	COLOUR TEMP	DELIVERED LUMENS	BEAM ANGLE	DIMENSIONS	STANDARD
75W	4000K	8518lm	60°	320x130x225	25700101
450W	4000K	52131lm	60°	628x324x275	25700201
900W	4000K	100962lm	60°	628x690x390	25700301
1200W	4000K	136545lm	60°	628x910x390	25700401