



IP66 IK10 CLASS II CE

SKYLITE LED

A light, slim, extremely versatile street luminaire incorporating advanced LED and design technology.

Available with either a road or pedestrian lens, Skylite LED offers significant energy savings in comparison with conventional discharge lamps.

SKYLITE LED

FEATURES & BENEFITS

- > No UV / IR rays emitted
- > Long rated LED life: >80,000hrs (L80/B10)
- > High efficiency road or pedestrian optics ($\geq 93\%$)
- > Horizontal or vertical mounting
- > Design incorporates a vent filter to reduce condensation and equalize pressure to prevent seals from leaking.
- > Deep cooling fins for effective thermal management
- > Optimum colour consistency - 3 step MacAdam ellipse tolerance
- > PCB operates at a maximum temperature of 150°C and has a specific thermal conductivity of 1.5W/mK (dielectric layer)
- > Slim design - surface exposed to the wind: 0.213m²
- > Short circuit and surge protection
- > Zero flicker - wildlife friendly

PERFORMANCE

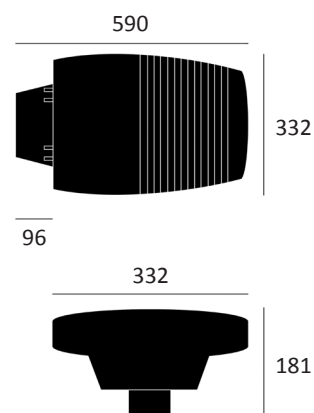
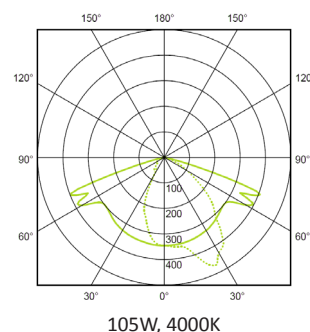
Light source	LED (Samsung)
LED output	5200 - 20800lm
Luminaire output	4475 - 17900lm
Lumen efficiency	128lm/W
CRI	80
Beam angle	120 degrees

MATERIALS

Body	Die-cast aluminium
Finish	Anthracite grey (RAL 7039)
Diffuser	4mm clear tempered glass
Mounting	Ø60mm poles (Road), Ø42mm poles (Pedestrian)

OPTIONS

- > Other RAL colours on request
- > 3000K / 5000K
- > Additional optics
- > DALI



SKYLITE LED

LAMP	COLOUR TEMP	LUMENS	OPTIC	MOUNTING HEIGHT	DIMENSIONS	STANDARD
35W	4000K	4475lm	Road	3-4m	Ø60	71901101
70W	4000K	8950lm	Road	4-5m	Ø60	71901201
105W	4000K	13420lm	Road	5-6m	Ø60	71901301
140W	4000K	17900lm	Road	6-8m	Ø60	71901401
35W	4000K	4475lm	Pedestrian	3-4m	Ø42	71901501
70W	4000K	8950lm	Pedestrian	4-5m	Ø42	71901601
105W	4000K	13420lm	Pedestrian	5-6m	Ø42	71901701
140W	4000K	17900lm	Pedestrian	6-8m	Ø42	71901801