

THREE CIRCUIT TRACK

FEATURES & BENEFITS

- > Easy to cut with a standard saw
- > No need to cut or bend back conductors
- > Easy to reach pre-punched slotted holes
- > Compatible with Eutrac adaptors

PERFORMANCE

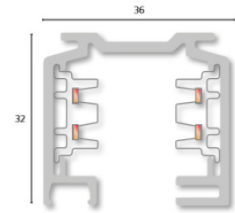
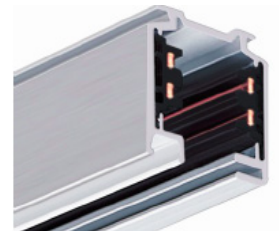
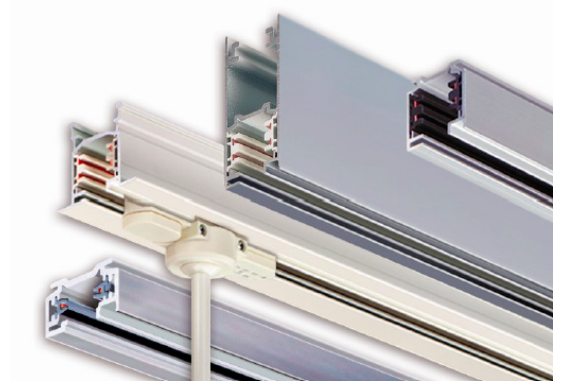
Brand	Eutrac
Voltage rate	230V

MATERIALS

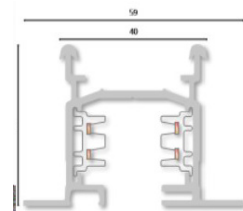
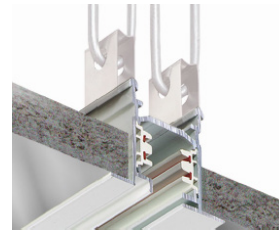
Body	Extruded aluminium
Finish	White / Silver Grey / Black
Conductors	Copper (2x 2.5mm ² cross section conductors)

OPTIONS

- > DALI track
- > 3m / 6.2m suspension steel wire
- > High track



SURFACE MOUNTING
TRACK



RECESSED TRACK

THREE CIRCUIT TRACK

SURFACE MOUNTED TRACK

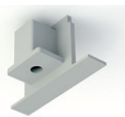
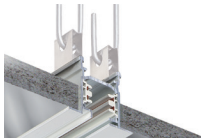
	LENGTH	WHITE	GREY	BLACK
	1000mm	23002500	23002600	23002700
	2000mm	23002800	23002900	23003000
	3000mm	23003100	23003200	23003300
	Surface monopoints (For 3-circuit adaptors, maximum length of 95mm for loads up to 10Kg. Electrical load max. 250V/16A, with integrated gold plated data bus contacts)	23003400	23003500	23003600
TRACK SYSTEM COMPONENTS				
	End feed, earth right	23003700	23003800	23003900
	End feed, earth left	23004000	23004100	23004200
	End cap	23004300	23004400	23004500
	Mid feed (to be placed anywhere along the track)	23004600	23004700	23004800
	Straight Coupler (To join 2 sections of track electrically. For static reasons, order mechanical coupler if suspended via pendant rod or wire)	23004900	23005000	23005100
	I-coupler (with feeding option)	23005200	23005300	23005400
	L-coupler (with feeding option, earth inside)	23005500	23005600	23005700
	L-coupler (with feeding option, earth outside)	23005800	23005900	23006000
	Flex-coupler (30° to 330° with feeding option)	23006100	23006200	23006300
	T-coupler (with feeding option, earth inside right)	23006400	23006500	23006600
	T-coupler (with feeding option, earth inside left)	23006700	23006800	23006900
	T-coupler (with feeding option, earth outside right)	23007000	23007100	23007200
	T-coupler (with feeding option, earth outside left)	23007300	23007400	23007500
	X-coupler (with feeding option)	23007600	23007700	23007800

THREE CIRCUIT TRACK

SUSPENSION COMPONENTS FOR SURFACE TRACK	WHITE	GREY	BLACK
Suspension steel wire 1.5m	23007900	23008000	23008100
Pendant rod (Ø13mm, length 1.2m cut to exact length on site - to be used with pendant clip or mechanical coupler)	23008200	23008300	23008400
Mechanical coupler (for use with suspension steel wire or pendant rod including M13 x 1 nut)	23008500	23008600	23008700
Pendant clip (inc M13 x 1 nut)	23008800	23008900	23009000
Suspension steel wire with fast hanger (3m, height adjustable)	23009100	23009200	23009300
Fastening clip (for suspension with fast hanger)	23009400	23009500	23009600
Mechanical fastening coupler (for suspension with fast hanger)	23009700	23009800	23009900
Ceiling clip (for ceiling mounting to level uneven ceilings)	23010000	23010100	23010200

THREE CIRCUIT TRACK

RECESSED TRACK



LENGTH	WHITE	BLACK
1000mm	23010300	23010500
2000mm	23010600	23010800
3000mm	23010900	23011100
Recessed housing for surface monopoint Designed for ceiling thicknesses up to 30mm, minimum installation height 75mm. Ceiling cut out Ø126mm. For loads up to 10Kg.)	23011200	23011400

RECESSED TRACK SYSTEM COMPONENTS

End feed, earth right, ceiling support flange	23011500	23011700
End feed, earth left, ceiling support flange	23011800	23012000
End feed, concealed, flush with profile	23012100	23012300
End cap, ceiling support flange	23012400	23012600
Mid feed (to be placed anywhere along the track)	23012700	23012900
Electrical and mechanical straight coupler (To join two sections of track electrically and mechanically)	23013000	23013200
I-coupler (with feeding option, ceiling support flange)	23013300	23013500
L-coupler (with feeding option, earth inside, ceiling support flange)	23013600	23013800
L-coupler (with feeding option, earth outside, ceiling support flange)	23013900	23014100
T-coupler (with feeding option, earth inside right, ceiling support flange)	23014200	23014400
T-coupler (with feeding option, earth inside left, ceiling support flange)	23014500	23014700
T-coupler (with feeding option, earth outside right, ceiling support flange)	23014800	23015000
T-coupler (with feeding option, earth outside left, ceiling support flange)	23015100	23015300
X-coupler (with feeding option, ceiling support flange)	23015400	23015600

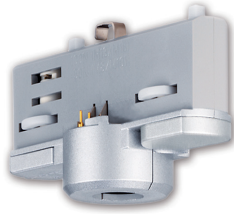
THREE CIRCUIT TRACK

SUSPENSION COMPONENTS FOR RECESSED TRACK

WHITE

Snap hanger (for suspension with fast fixing devices provided on site) 23015700

THREE CIRCUIT TRACK ADAPTORS

WHITE
GREY
BLACK


MultiAdaptor with data bus option

23016000

23016100

23016200

Screw termination, approved for 6A inductive /6A ohmic up to 250V. With earth contact, circuit selection by turnkey switch and optional neutral position during operation. Ideal for heavy spotlights due to double mechanical locking. Maximum load up to 5Kg or 10Kg when using retaining collar 23017800/ 23017900/ 23018000.



Electronic MultiAdaptor LED.30
350mA - 500mA

23016300

23016400

23016500

(For 3-circuit track system with integrated LED driver for constant current. Protection class II / IP20. Lifetime expected up to 100,000hrs, SELV)



Electronic MultiAdaptor LED.30
550mA - 700mA

23016600

23016700

23016800

(For 3-circuit track system with integrated LED driver for constant current. Class II / IP20. Lifetime expected up to 100,000hrs, SELV) (Please see retaining collar accessories below)

RETAINING COLLAR SUITABLE FOR 3-CIRCUIT TRACK ADAPTOR

WHITE
BLACK


Retaining collar with internal thread for pendant rod

M8 x 1

23016900

23017100

M10 x 1

23017200

23017400

M13 x 1

23017500

23017700



Retaining collar with outside thread for pendant rod

M10 x 1

23018100

23018300

M13 x 1

23018400

23018600



Retaining collar for mounting bracket with outside thread M10 x 1, bracket holes \varnothing 10.5 or 13.5mm incl. strain relief

23018700

23018900



Retaining collar (for cable 3 x 0.75mm² or DALI cable incl. strain relief)

23019000

23019200



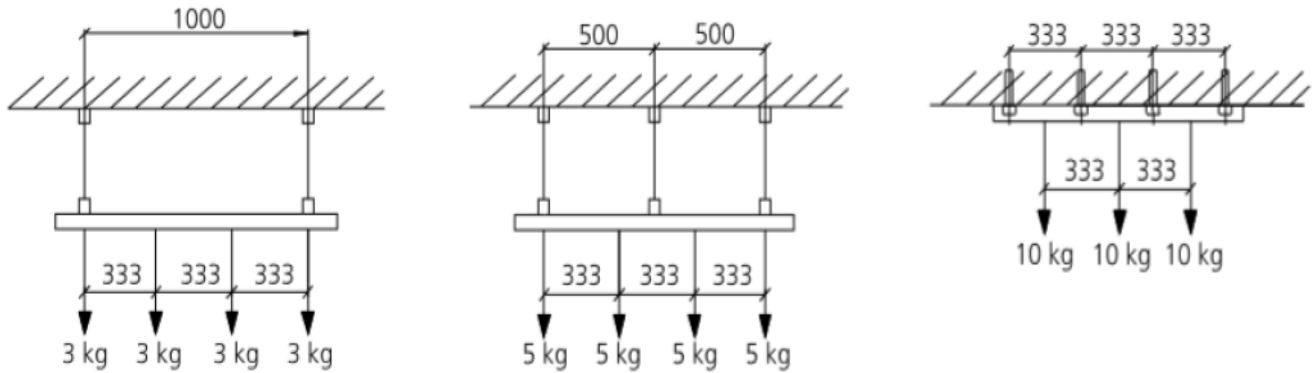
Retaining collar (for cable 3 x 0.75mm² or DALI cable incl. steel wire. Length: 1.5m for load up to 5Kg, for pendant light fixtures)

23019300

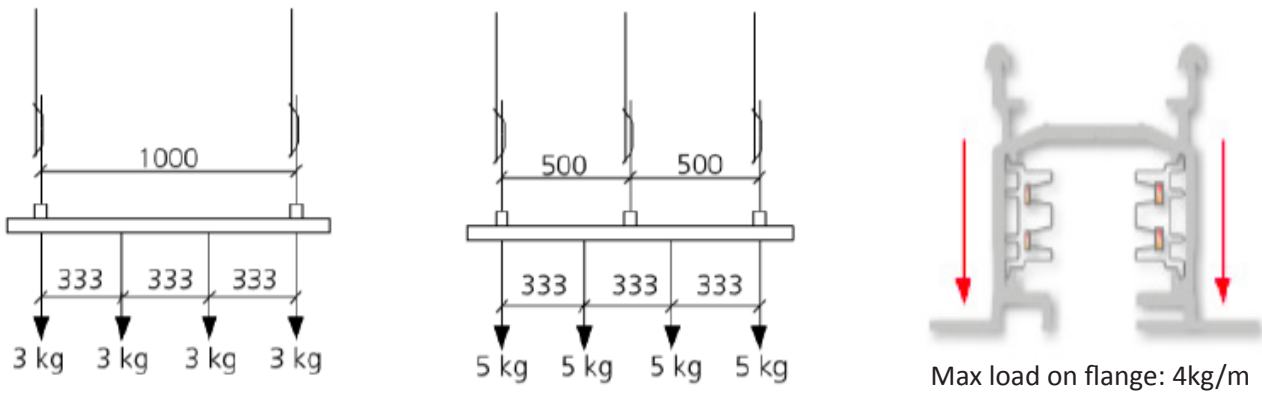
23019500

THREE CIRCUIT TRACK

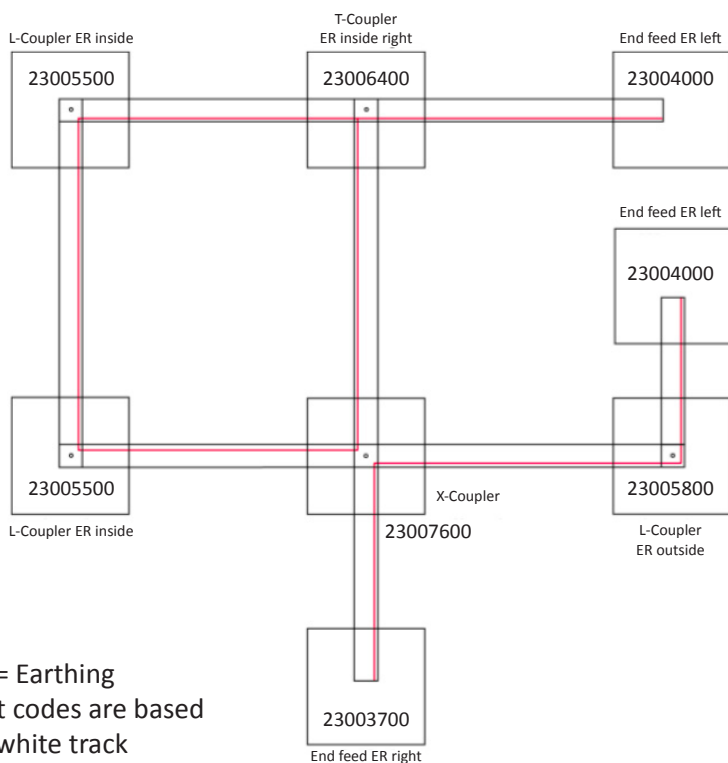
LOAD INFORMATION—SURFACE TRACK



LOAD INFORMATION—RECESSED TRACK



TYPICAL LAYOUT



ER = Earthing
Part codes are based
on white track

When planning the layout, you need to consider earth continuity. This track shows the earthing along one inner side of the profile.