

WHITEHALL LED

IP65 IK08 CLASS I CE

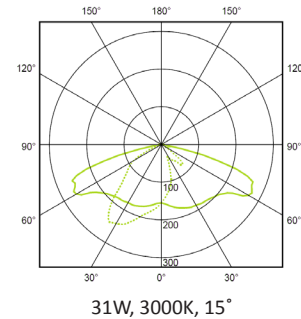
FEATURES & BENEFITS

- > High resistance to UV and oxidation
- > Mechanical system allows fixture locking and adjustment
- > Optimum colour consistency - 3 step MacAdam ellipse tolerance
- > Long LED life: >50,000hrs (L80/B10)
- > Maximum design flexibility - various lumen outputs and light distribution options



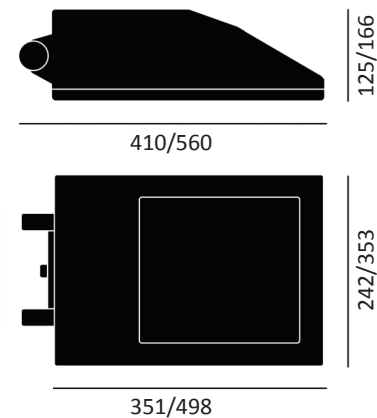
PERFORMANCE

Light source	LED (CREE)
Distribution	Asymmetric
LED output	4710lm - 16150lm
Luminaire output	3125 - 11380lm
CRI	>85



MATERIALS

Body	Die-cast aluminium EN AB 44100
Finish	Anthracite grey / light grey
Diffuser	Clear soda-lime tempered glass with a silicone sealing gasket
Mounting	U-bracket
External fixings	Stainless steel A4-70 treated with water-repellent lubricating solution.
Cable entry	Polypropylene M20 cable gland



OPTIONS

- > DALI on request
- > 3000K

LAMP	COLOUR TEMP	DELIVERED LUMENS	BEAM ANGLE	DIMENSIONS	ANTHRACITE GREY	LIGHT GREY
31W	4000K	3125lm	15°	410 x 242	74800301	74800401
31W	4000K	3319lm	55°	410 x 242	74800701	74800801
44W	4000K	4207lm	15°	410 x 242	74801101	74801201
44W	4000K	4467lm	55°	410 x 242	74801501	74801601
62W	4000K	6253lm	15°	560 x 353	74801901	74802001
62W	4000K	6640lm	55°	560 x 353	74802301	74802401
88W	4000K	8418lm	15°	560 x 353	74802701	74802801
88W	4000K	8939lm	55°	560 x 353	74803101	74803201
125W	4000K	10715lm	15°	560 x 353	74803501	74803601
125W	4000K	11380lm	55°	560 x 353	74803901	74804001